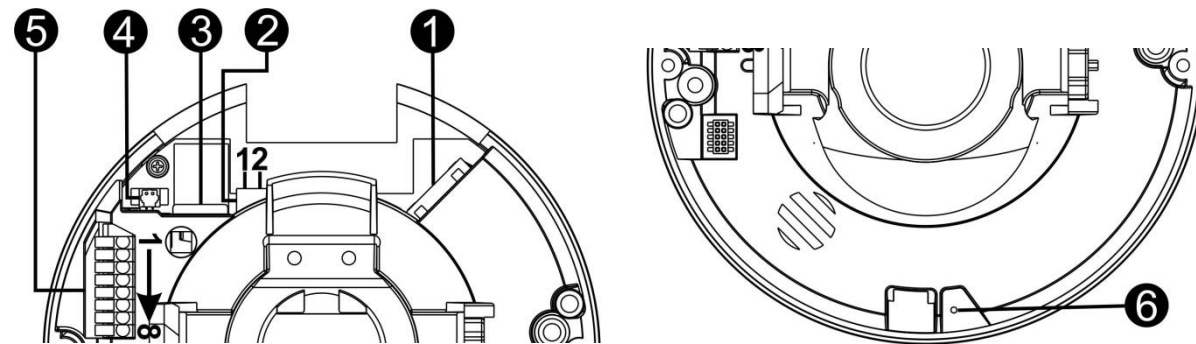


Hyper Mini Dome IP Camera Quick Guide

This guide is for quick installing and connecting the Hyper Mini Dome IP Camera. For more details, please refer to the User's Manual of the camera in the supplied CD.

Camera's Connectors (Indoor Only)



No.	Connector	Pin	Definition	Remarks	
1	RJ-45	-	For network and PoE connections		
2	Power (DC 12V / AC 24V)	1	AC 24V 1	DC 12V	Power connection
		2	AC 24V 2	GND	
3	microSD Card Slot	-	Insert the microSD card into the card slot to store videos and snapshots. Do not remove the microSD card when the camera is powered on.		
4	BNC*	-	For analog video output		
5	Alarm & Audio I/O	1	Alarm In -	Alarm connection	
		2	Alarm In +		
		3	Alarm Out -		
		4	Alarm Out +		
		5	Audio Out R	Audio Out	
		6	Audio Out L		
		7	GND		
		8	Audio In		
6	Default Button	-	Press the button for at least 20 seconds with a proper tool to restore the system.		

(*) Optional. Please contact the manufacturer for the compatible BNC cable.

NOTE: It is not recommended to record with the microSD card for 24/7 continuously, as it may not be able to support long term continuous data read/write. Please contact the manufacturer of the microSD card for information regarding the reliability and the life expectancy.

Camera Cabling

Please follow the instructions below for cable connections.

Power Connection

Please use a DC 12V / AC 24V power adaptor and plug it to the camera and the power outlet. Alternatively, users can use an Ethernet cable and connect it to the RJ-45 connector of the camera and a Power Sourcing Equipment (PSE) switch.

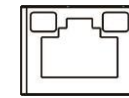
NOTE: If PoE is used, make sure PSE is in use in the network.

Ethernet Cable Connection

Connect one end of the Ethernet cable to the RJ-45 connector of the camera, and plug the other end of the cable to the network switch or PC.

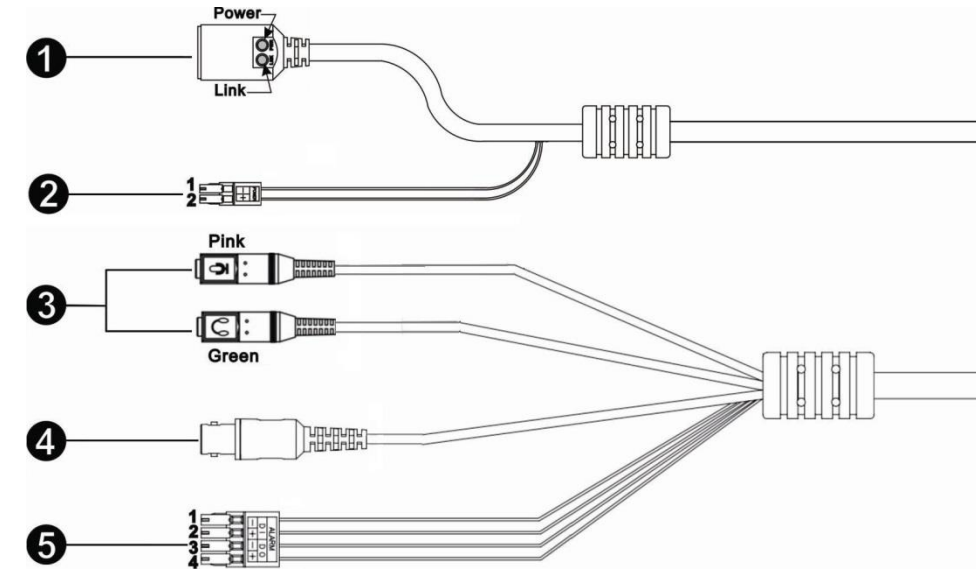
NOTE: In some cases, Ethernet crossover cable might be needed when connecting the camera directly to the PC.

NOTE: Check the status of the link indicator and the activity indicator LEDs. If the LEDs are unlit, please check the LAN connection.



Green Link Light indicates good network connection.
Orange Activity Light flashes for network activity indication.

Function Cables (Outdoor Only)



No.	Connector	Pin	Definition	Remarks	
1	RJ-45	-	For network and PoE connections		
2	Power (DC 12V / AC 24V)*	1	DC 12V 1	AC 24V 1	Power connection
		2	DC 12V 2	AC 24V 2	
3	Audio I/O*	Pink	Audio In	Two-way audio transmission	
		Green	Audio Out		
4	BNC*	-	For analog video output		
5	Alarm I/O* (4-Pin Terminal Block)	1	Alarm In -		
		2	Alarm In +		
		3	Alarm Out -		
		4	Alarm Out +		
-	Default Button	-	Please refer to Default Button in the table under Camera's Connectors (Indoor Only) .		
-	microSD Card Slot	-	Please refer to microSD Card Slot in the table under Camera's Connectors (Indoor Only) .		

(*) Optional

Before Login to the Camera

A client program will be automatically installed to the PC when connecting to the camera. Before logging in to the camera, please ensure downloading the ActiveX control is allowed by either changing the ActiveX controls and plug-ins or setting Internet's security level to default. For further details, please refer to the User's Manual in the supplied CD.

ActiveX Controls and Plug-ins Settings	Internet Security Level
<p>Step 1: Start the Internet Explorer (IE).</p> <p>Step 2: Select <Tools> from the main menu of the browser. Then click on <Internet Options>.</p> <p>Step 3: Click on the <Security> tab and select <Internet>, and click on <Custom level> to change ActiveX settings.</p> <p>Step 4: Set "ActiveX controls and plug-ins" items to <Prompt> or <Enable>.</p>	<p>Step 1: Start the Internet Explorer (IE).</p> <p>Step 2: Select <Tools> from the main menu of the browser. Then click on <Internet Options>.</p> <p>Step 3: Click on the <Security> tab and select <Internet>.</p> <p>Step 4: Down the page, click <Default Level> and click on <OK> to confirm the setting. Close the browser window, and open a new one later for accessing the IP camera.</p>

Camera Login

The default IP address of the camera is: **192.168.0.250**. Therefore, to access the camera for the first time, please set the IP address of the PC as: 192.168.0.XXX; for example:

IP Address: 192.168.0.100

Subnet Mask: 255.255.255.0

Login ID and Password

- Key in the camera's IP address in the URL bar of the web browser window and hit on "Enter".
- Enter the default username (**Admin**) and password (**1234**) in the prompt request dialogue. Note that username is case sensitive.

Install the ActiveX Control

- After connecting to the camera, the request for installing the ActiveX control will appear just below the URL bar.
- Right click on the information bar, and then click on <Install ActiveX Control...> to permit ActiveX control installation.



- In the pop-up security warning window, click on <Install> to start downloading Viewer software on the PC.
- Click on <Finish> after Viewer installation is completed.

Browser-based Viewer

The main page of the IP camera user interface is shown as the figure below. Please note that function buttons will vary depending on the camera model.



SCI2323

**Hyper Mini
Dome
IP Camera
Quick Guide**

